

# Designer Classics at Lillian August

## Designer Classics Standards:

Loose Pillow Back  
Height: 35"  
Arm Height: 23"  
Overall Depth: 39"

Seat Height: 18"  
Seat Depth: 21"  
Throw pillows: 20 x 20"

It's easy to order your own custom upholstered pieces. Just follow this illustration and fill in the appropriate box with the chosen letters.

D	5				
series	arm style	back	seat	frame	

### 1 Select Arm Style D 5



51 = Scroll Arm



52 = Track Arm



53 = Key Arm

### 2 Select Back D 5



2 = Two Cushions (Standard)



3 = Three Cushions

### 3 Select Seats D 5



1 = One Cushion



2 = Two Cushions (Standard)



3 = Three Cushions

### 4 Select Frame D 5



M = 78" Length



S = 88" Length



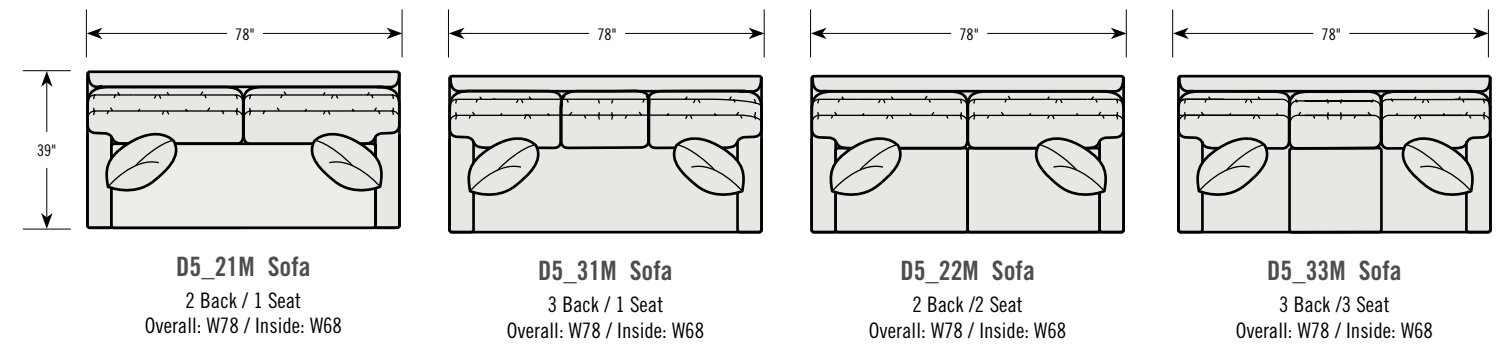
O1C = Chair



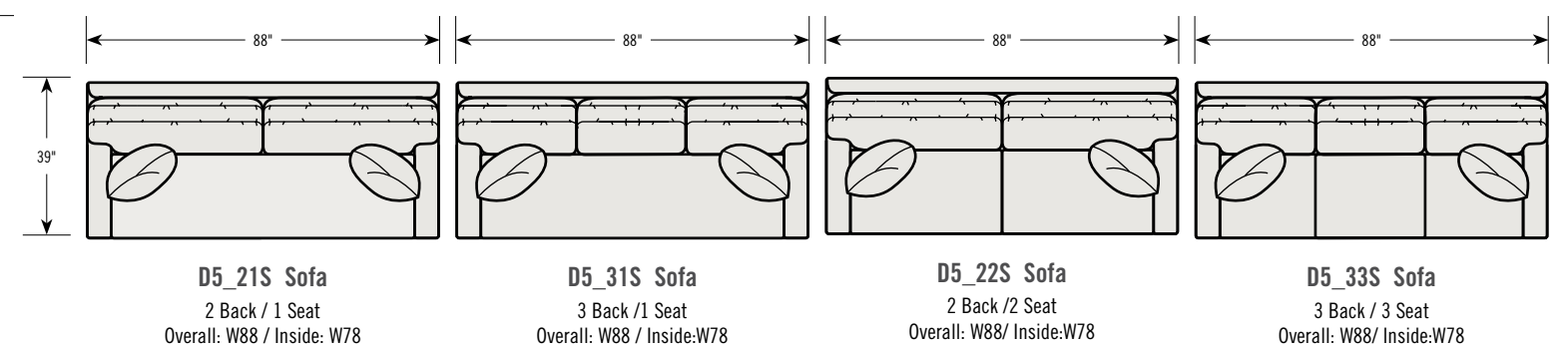
OT = Ottoman

## Available Styles

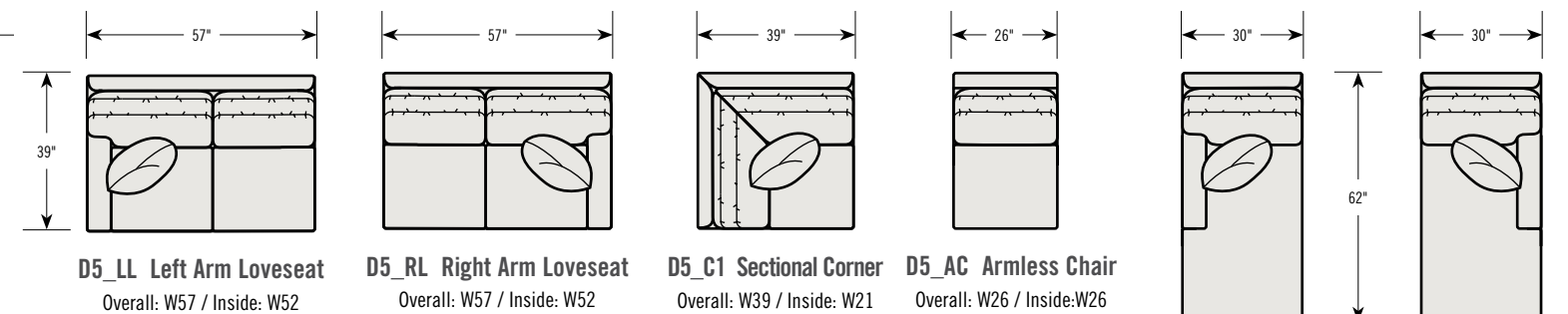
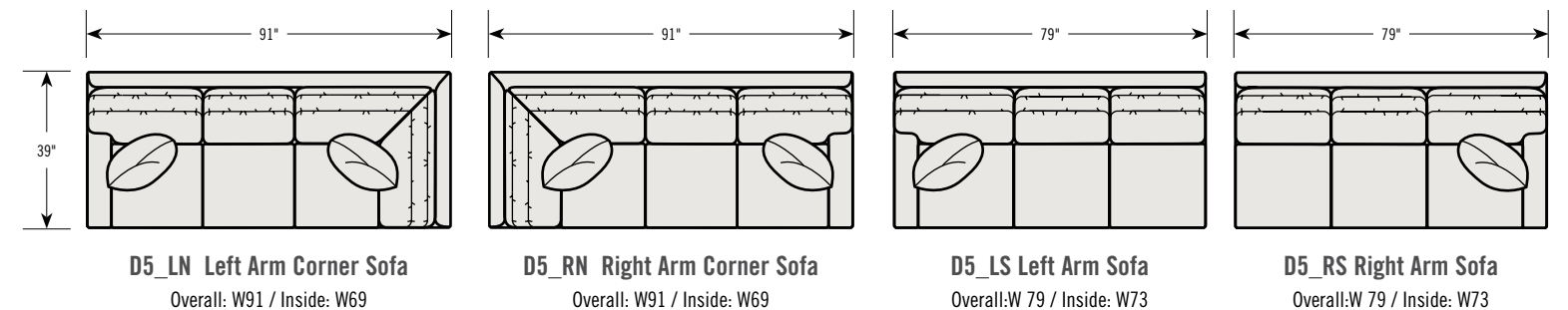
**M = MID SOFA** Overall Width = 78" / Inside Width = 68" Dimensions will vary slightly with Arm choice.



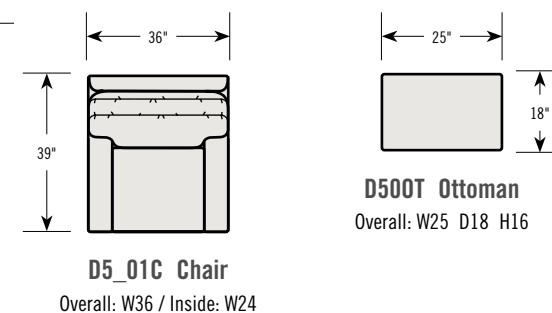
**S = SOFA** Overall Width = 88" / Inside Width = 78" Dimensions will vary slightly with Arm choice.



**SECTIONAL STYLES:** Dimensions will vary slightly with Arm choice.



**CHAIR / OTTOMAN:** Dimensions will vary slightly with Arm choice.



**NOTE:** Dimensions will vary slightly with Arm choice.

Ultra Down is standard cushion for seats and backs.

Sectional Sofas standard with 3 Seat Cushions, Sectional Loveseats standard with

\*1- Piece Bench Seat cushions are available on Sectionals at N/C.

Must be specified on order as "Special 1-Piece Bench Seat Cushion".

Sectional Back Cushions are available only as shown.

Standard Finish: Antique Walnut

Throw Pillows: Standard as shown above on Sofas and Sectional pieces.

# Designer Classics at Lillian August



**D5201C Designer Classics Track Arm Chair**

**D** = Designer Classics  
**52** = Track Arm Style  
**0** = One Back Cushion  
**1** = One Seat Cushion  
**C** = Chair

Overall: W35 D39 H35 Inside: W23 D21 H18  
 Arm height: 23 Seat height: 18

**D500T Designer Classics Ottoman**

**D** = Designer Classics  
**50** = No Back Cushion  
**0T** = Ottoman

Overall: W25 D18 H16



**D5331M Designer Classics Key Arm Sofa**

**D** = Designer Classics  
**53** = Key Arm Style  
**3** = Three Back Cushions  
**1** = One Seat Cushion  
**M** = 78" Sofa

Overall: W80\* D39 H35 Inside: W68 D21 H18  
 Arm height: 23 Seat height: 18  
 Standard pillows: two 20" throw pillows

\*Note: Key Arm & Scroll Arm add 2" to overall width



**D51 - Scroll Arm Designer Classics Sectional**

**Note:** Designer Classic Sectional Sofas are Standard with 3 Seat Cushions.

The Sectional pieces shown above are shown with the Optional 1-Piece Bench Seat cushion which is available upon request

**D51RN Right Arm Corner Sofa**  
 W91 D39 H35 Inside: W73 D21 H18  
 Standard pillows: two 20" throw pillows

**D51LS Left Arm Sofa**  
 W79 D39 H35 Inside: W73 D21 H18  
 Standard pillows: one 20" throw pillow  
 Arm height: 23 Seat height: 18  
 Optional finish shown: Wishbone

